



# HEATRIM AMERICAN

HYDRONIC PERIMETER BASEBOARD MODEL RB



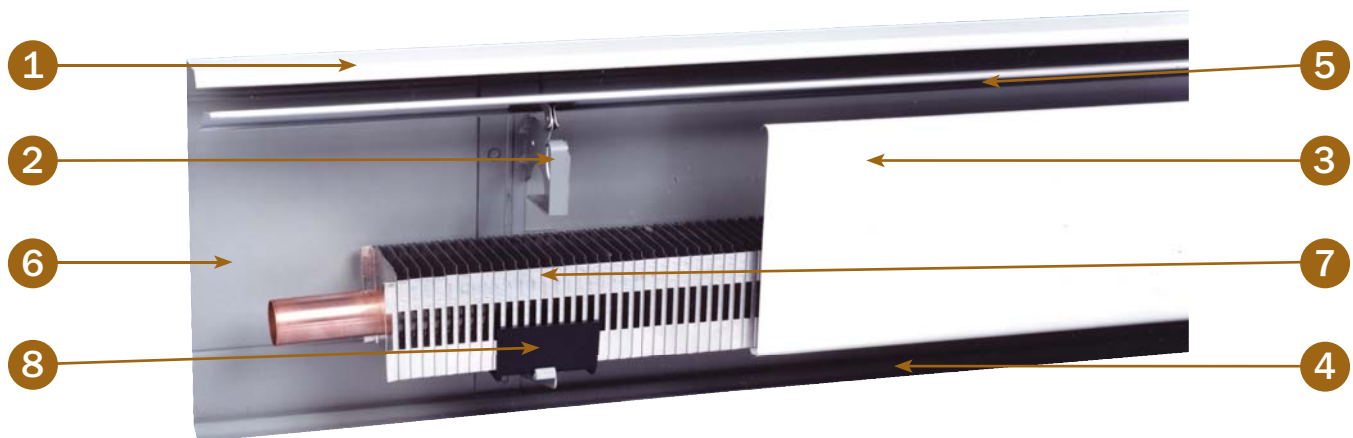
## Model RB baseboard panels... stylish modern comfort that's easy to install

Symmetrically styled for modern, low-silhouette appearance... designed for fast, low-cost installation... and engineered for peak hydronic performance... that's Model RB HEATRIM/AMERICAN, a residential baseboard.

Compact Model RB HEATRIM/AMERICAN stands only 7-3/8" high and extends only 2-11/16" into the room when set flush against the wall, and even less when recessed to plaster depth. Homeowners like the simple, uncluttered look of Model RB HEATRIM/AMERICAN panels... and the decorating freedom provided by the white semi-gloss prime coat, which may be left as is or repainted later (with any good quality alkyd base paint)

to match room decor. Installers like the convenience of working with this baseboard. The back panel stands unaided against the wall so that all back panels, filler and joining pieces can be positioned and fastened to the wall by one person. Brackets, dampers, front panels and accessories snap right on. No tools needed. No time wasted. Two high-capacity heating elements are available for installation flexibility. And Model RB HEATRIM/AMERICAN is packaged completely assembled, in 2' through 8' lengths.

No matter what the requirements, Model RB HEATRIM/AMERICAN does the job with efficiency, economy and style.



- 1 - **ENCLOSURE TOP AND BACK PANEL** - is of one-piece steel construction for strength and durability. Smooth surface won't collect dust and lint. Lower portion is extended 3/4" out from wall to cover any openings between wall and finished flooring and to let panel stand unaided while being fastened to wall.
- 2 - **SNAP-IN BRACKETS** - are die-formed of one-piece heavy gauge galvanized steel to support front panel and element where required; can be located at any point along back panel.
- 3 - **ENCLOSURE FRONT PANEL** - is of flat, dent-resisting steel; firmly snaps onto brackets either way (there is no top or bottom edge) and is easily removed for cleaning when necessary.
- 4 - **AIR INTAKE SPACE** - allows unrestricted circulation of air for maximum heating efficiency and permits easy cleaning underneath element.

- 5 - **PIVOT-MOUNTED DAMPER** - allows positive fingertip control for easy opening and closing from any point along its length; can be set in any position to regulate heat flow.
- 6 - **ENCLOSURE INTERIOR** - gray prime coat provides background so that brackets and element blend in.
- 7 - **HEATING ELEMENTS** - two high-output elements are available, each with heat-reflecting interlocked aluminum fins (vented for maximum performance) bonded to seamless copper tubing for quick response, high I=B=R approved ratings.
- 8 - **SILENT SLIDE SHOE** - Made of heat resistant nylon material which provides sound insulation and allows smooth element expansion motion.

# Ratings

## AVERAGE HOT WATER TEMPERATURE °F - BTU/HR/LIN. FT

Model	GPM	120°	130°	140°	150°	160°	170°	180°	190°	200°
RB-750-3/4"	4	215	270	330	390	450	530	590	670	730
	1	205	255	310	370	430	500	560	630	690
RB-500-1/2"	4	226	283	340	410	480	550	610	690	750
	1	215	270	330	390	450	520	580	650	710

Water ratings shown for HEATRIM/AMERICAN Panels (with Model E-500 element) are based on a water flow of 500 pounds per hour with a pressure drop of 0.260 inches of water per lineal foot and a water flow rate of 2000 pounds per hour with a pressure drop of 2.900 inches of water per lineal foot. 15% is added to water heat capacity.

The use of ratings at water flow rates of 2000 pounds per hour is limited to installation where the water flow rate through the baseboard unit is equal to or greater than 2000 pounds per hour. Where the water flow rate through the baseboard is not known, the rating at the standard water flow of 500 pounds per hour must be used.

Approved water ratings shown for HEATRIM/AMERICAN Panels (with Model E-750 element) are based on a water flow of 500 pounds per hour with a pressure drop of 0.047 inches of water per lineal foot and a water flow of 2000 pounds per hour with a pressure drop of 0.530 inches of water per lineal foot. 15% is added to water heat capacity.

These ratings are based on active (finned) HEATRIM lengths. Difference between active length and total length of the standard HEATRIM heating elements is 4-3/4 inches. Elements are unpainted.

Non-ferrous fins on elements measure 2-1/8 x 2-1/8 x 0.008 inches, spaced:  
**RB-500, 50.5-52 fins per foot**  
**RB 750, 49.9-52 fins per foot**



### END CAP

A one-piece accessory, 3 inches wide; slips in over top of back panel and snaps firmly to bottom of front panel; adjustable end provides clearance for piping connections.



### OUTSIDE CORNERS

Two outside corners are available: a 90° corner, and a 135° corner for use under bay windows.



### VALVE ENCLOSURE

A one-piece accessory, available in 4" width; slides behind enclosure back panel and snaps securely into place at bottom of enclosure front panel; telescopes for adjustable end clearance.



### JOINER OR FILLER PIECE SETS

Consists of front piece, back piece, and damper piece; available in 2", 7" and 14" widths.



### INSIDE CORNERS

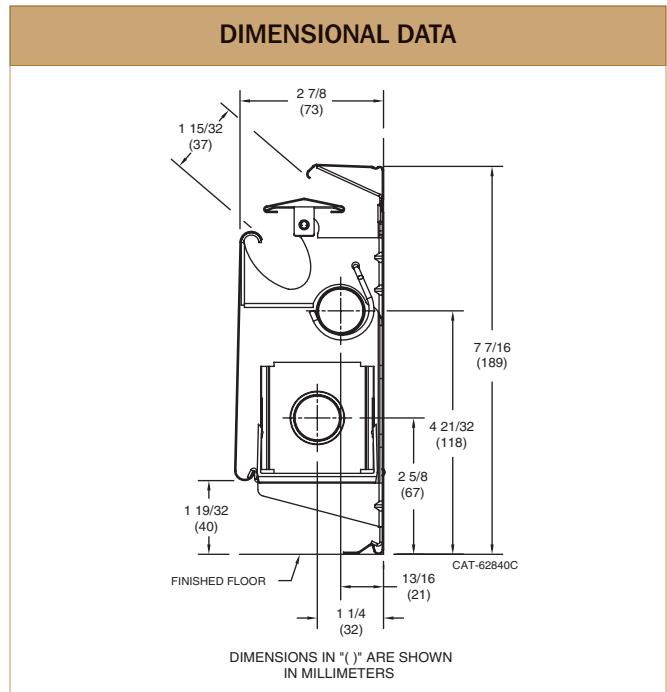
Two inside corners are available: a 90° corner, and a 135° plain corner for use under bay windows.



### 3" WALL END PIECE

A one-piece accessory that can be used on either end of an enclosure panel; hooks in over top of back panel and snaps firmly to bottom of front panel; extends to floor surface.

ENCLOSURE & ELEMENT COMPLETE ASSEMBLED SINGLE PACK	ELEMENT SIZE	CATALOG NUMBER
<b>MODEL RB-750-A</b> Contains one length each of front and back panel, damper, support brackets, slide cradles, and 3/4" heating element. Joining piece sets included with lengths of 5', 6' and 8'.	3/4"	RB-750-A8 RB-750-A7 RB-750-A6 RB-750-A5 RB-750-A4 RB-750-A3 RB-750-A2
<b>MODEL RB-500-A</b> Contains one length each of front and back panel, damper, support brackets, slide cradles, and 1/2" heating element. Joining piece sets included with lengths of 5', 6' and 8'.	1/2"	RB-500-A8 RB-500-A7 RB-500-A6 RB-500-A5 RB-500-A4 RB-500-A3 RB-500-A2



ENCLOSURE ONLY ASSEMBLED SINGLE PACK	CATALOG NUMBER
<b>MODEL RB ENCLOSURE</b> Contains 1 each of front and back panel, damper, and support brackets. Joining piece sets included with lengths of 5', 6' and 8'.	RB-8-A RB-7-A RB-6-A RB-5-A RB-4-A RB-3-A RB-2-A

ELEMENT ONLY FOUR PACK	ELEMENT SIZE	CATALOG NUMBER
<b>E-750</b> (3/4" tube) Individually boxed and strapped into a bundle of four equal lengths with cradles.	3/4"	E-750-8 E-750-7 E-750-6 E-750-5 E-750-4 E-750-3 E-750-2
<b>E-500</b> (1/2" tube) Individually boxed and strapped into a bundle of four equal lengths with cradles.	1/2"	E-500-8 E-500-7 E-500-6 E-500-5 E-500-4 E-500-3 E-500-2

ACCESSORY	CATALOG NUMBER
3" End Cap, Right Hand	RA-ECR-03
3" End Cap, Left Hand	RA-ECL-03
4" Hinged Valve Enclosure, Right Hand	RA-VER-04
4" Hinged Valve Enclosure, Left Hand	RA-VEL-04
90° Hinged Inside Corner	RB-ICF-90
90° Inside Corner Back Piece	RA-ICB-90
135° Inside Corner	RB-ICF-45
135° Inside Corner Back Piece	RA-ICB-45

ACCESSORY	CATALOG NUMBER
90° Outside Corner	RA-OCF-90
135° Outside Corner	RA-OCF-45
3" Wall End Piece	RB-WEP-03
2" Joining Piece Set (3 pieces)	RB-JPS-02
7" Filler Piece Set (3 pieces)	RB-FPS-07
14" Filler Piece Set (3 pieces)	RB-FPS-14
Supp. Brckt., Slide Cradle & Damper Clip	RB-SBP-20
Supply Tubing Support Hanger	RB-WHS-50
Return Tubing Support Hanger	RB-WHR-50
Touch-Up Spray Paint	HT-TUP
Slide Cradle	RA-SLS-12
Damper Clip	RB-DCR-25



260 North Elm Street, Westfield, MA 01085, (413) 564-5545, FAX (413) 572-3764  
 7555 Tranmere Drive, Mississauga, Ontario, L5S 1L4, (905) 670-5888, FAX (905) 670-5782  
 www.mestek.com

